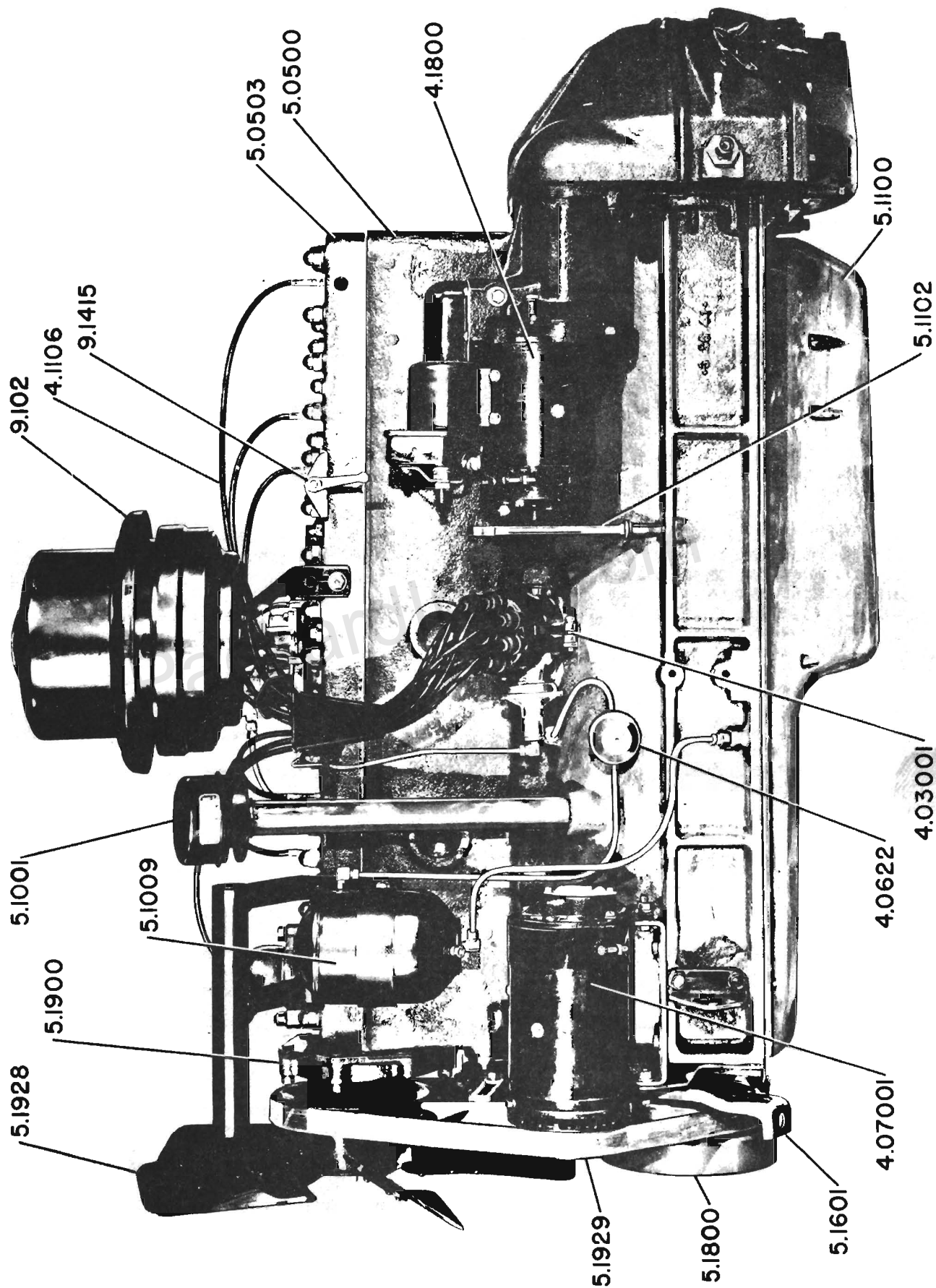


ENGINE (RIGHT SIDE)



ENGINE (LEFT SIDE)

CODE NO.	PART NO.	DESCRIPTION AND MODELS	PER CAR
----------	----------	------------------------	---------

CODE NO.	PART NO.	DESCRIPTION AND MODELS	PER CAR
----------	----------	------------------------	---------

**ENGINE ASSEMBLY**

**5.0000 ENGINE ASSEMBLY - STRIPPED** (Complete engine less electrical equipment, manifold, clutch and fan.)

*When ordering stripped engine for 1951, order one 387670 Support-Idler Lever Shaft.*

384208	1951-2001-11-2101-11	1
384207	2000-2010-2100-30	1
384770	2003-06-2103-06-26	1

**CAMSHAFT**

<b>5.0100</b>	<b>CAMSHAFT</b>	
330911	1951-2001-11-2101-11	1
333005	2000-10-2100-30	1
351751	2003-06-2103-06-26	1
<b>5.0101</b>	<b>BEARING</b>	
302250	#1, 1951-2000-01-10-11-2100-01-11-30	1
341331	#1, 2003-06-2103-06-26	1
302251	#2, 1951-2001-11-2101-11	1
316175	#2, 2000-10-2100-30	1
341332	#2, 2003-06-2103-06-26	1
302252	#3, 1951-2001-11-2101-11	1
315012	#3, 2000-10-2100-30	1
341333	#3, 2003-06-2103-06-26	1
302253	#4, 1951-2001-11-2101-11	1
302254	#4, 2000-10-2100-30	1
341334	#4, 2003-06-2103-06-26	1
302254	#5, 1951-2001-11-2101-11	1
341335	#5, 2003-06-2103-06-26	1
341336	#6, 2003-06-2103-06-26	1
341337	#7, 2003-06-2103-06-26	1
302254	#8, 2003-06-2103-06-26	1
<b>5.0105</b>	<b>CHAIN - DRIVING</b>	
333289	1951-2000-01-10-11-2100-01-11-30	1
341575	2003-06-2103-06-26	1
<b>5.0110</b>	<b>SPACER</b>	
348014	1951-2000-01-03-06-10-11-2100-01-03-06-11-26-30	1
<b>5.0111</b>	<b>SPROCKET</b>	
304266	1951-2000-01-10-11-2100-01-11-30	1
341594	2003-06-2103-06-26	1
4552	Key #9, Whitney, (50.845) 1951-2000-01-03-06-10-11-2100-01-03-06-11-26-30	1
<b>5.0114</b>	<b>NUT - SPROCKET</b>	
300069	1951-2000-01-03-06-10-11-2100-01-03-06-11-26-30	1
<b>5.0115</b>	<b>LOCK - CAMSHAFT SPROCKET NUT</b>	
300070	1951-2000-01-03-06-10-11-2100-01-03-06-11-26-30	1

**CAMSHAFT—Continued**

<b>5.0012</b>	<b>THRUST PLATE</b>	
330755	1951-2000-01-03-06-10-11-2100-01-03-06-11-26-30	1
7804	Screw 5/16-18 x 3/4 (50.003) 1951-2000-01-03-06-10-11-2100-01-03-06-11-26-30	2
362869	Lockwasher 5/16 spl., 1951-2000-01-10-11-2100-01-11-30	1
5504	Lockwasher 5/16 (50.220) 1951-2000-01-10-11-2100-01-11-30	1
	2003-06-2103-06-26	2

**CONNECTING ROD**

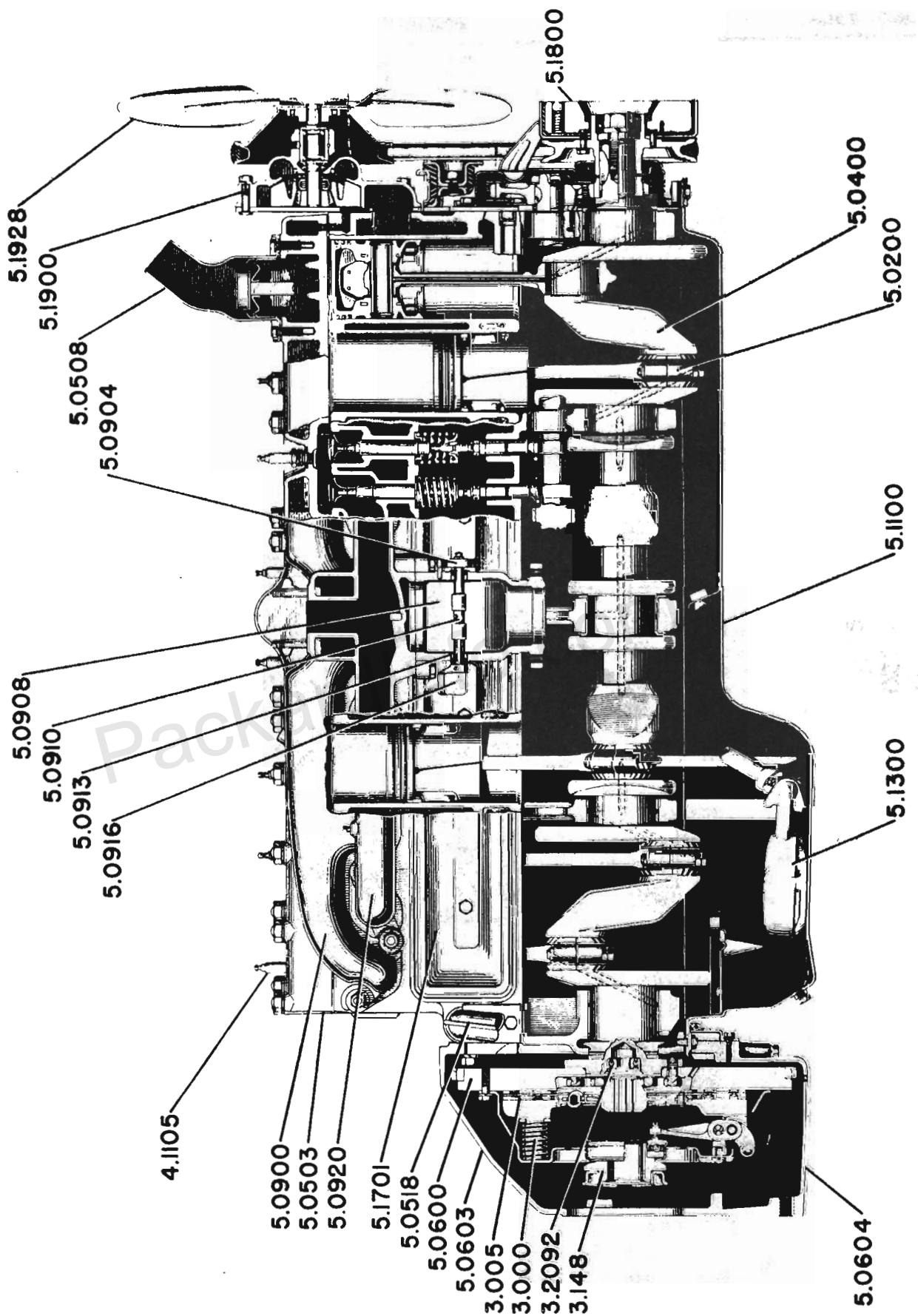
<b>5.0200</b>	<b>ROD AND BUSHING ASSEMBLY - CONNECTING</b>	
330908	2000-10-2100-30 (supersedes 333834)	6
330908	1951-2001-11-2101-11 (supersedes 333834)	8
341350	2003-06-2103-06-26	8
<b>5.0201</b>	<b>BOLT</b>	
330751	1951-2001-11-2101-11	16
	2000-10-2100-30	12
341367	2003-06-2103-06-26	16
338631	Nut 3/8 x 24, 2000-10-2100-30	12
	1951-2001-11-2101-11	16
210120	Nut 7/16-28, 2003-06-2103-06-26	16
7699	Lock nut (50.150) 2000-10-2100-30	12
	1951-2001-11-2101-11	16
4291	Cotter pin 3/32 x 3/4 (50.240) 2003-06-2103-06-26	16
<b>5.0203</b>	<b>BEARING ASSEMBLY</b>	
387600	std. (supersedes 362500) 1951-2001-11-2101-11	8
387601	.001 under. (supersedes 362501) 1951-2001-11-2101-11	8
387602	.002 under. (supersedes 362502) 1951-2001-11-2101-11	8
387603	.020 under., 1951-2001-11-2101-11	8
387600	std. (supersedes 362500) 2000-10-2100-30	6
387601	.001 under. (supersedes 362501) 2000-10-2100-30	6
387602	.002 under. (supersedes 362502) 2000-10-2100-30	6
387603	.020 under., 2000-10-2100-30	6
387604	std. (supersedes 362505) 2003-06-2103-06-26	8
387605	.001 under. (supersedes 362503) 2003-06-2103-06-26	8
387606	.002 under. (supersedes 362507) 2003-06-2103-06-26	8
387607	.020 under., 2003-06-2103-06-26	8
<b>5.0204</b>	<b>BUSHING - PISTON PIN</b>	
303398	1951-2001-03-06-11-2101-03-06-11-26	16
303398	2000-10-2100-30	12

CODE NO.	PART NO.	DESCRIPTION AND MODELS	PER CAR
<b>CRANKSHAFT</b>			
5.0400	CRANKSHAFT		
	315703	2000-10-2100-30 . . . . .	1
	304854	1951-2001-11-2101-11 . . . . .	1
	362034	2003-06-2103-06-26 . . . . .	1
5.04005	CRANKSHAFT AND BEARINGS KIT		
	387686	1951-2001-11-2101-2111 . . . . .	1
	387685	2000-10-2100-30 . . . . .	1
	387688	2003-06-2103-06-26 . . . . .	1
5.0401	BEARING SET		
	387656	std. (Supersedes 348318) 1951-2001-11-2101-11 . . . . .	1
	387657	.001 under. (Supersedes 348319) 1951-2001-11-2101-11 . . . . .	1
	387658	.002 under. (Supersedes 348320) 1951-2001-11-2101-11 . . . . .	1
	387659	.020 under. 1951-2001-11-2101-11 . . . . .	1
	387652	std. (Supersedes 348315) 2000-10-2100-30 . . . . .	1
	387653	.001 under. (Supersedes 348316) 2000-10-2100-30 . . . . .	1
	387654	.002 under. (Supersedes 348317) 2000-10-2100-30 . . . . .	1
	387655	.020 under., 2000-10-2100-30 . . . . .	1
	387660	std. (Supersedes 382645) 2003-06-2103-06-26 . . . . .	1
	387661	.001 under., 2003-06-2103-06-26 . . . . .	1
	387662	.002 under., (Supersedes 382678) 2003-06-2103-06-26 . . . . .	1
	387663	.020 under. (Supersedes 382637) 2003-06-2103-06-26 . . . . .	1
5.0402	BEARING ASSEMBLY - CRANKSHAFT		
	No. 1, 1951-2001-11-2101-11		
	387612	standard (Supersedes 303391) . . . . .	1
	387613	.001 undersize (Supersedes 320363) . . . . .	1
	387614	.002 undersize (Supersedes 317624) . . . . .	1
	387615	.020 undersize . . . . .	1
	Nos. 2 & 4, 1951-2001-11-2101-11		
	387624	standard (Supersedes 303392) . . . . .	2
	387625	.001 undersize (Supersedes 320364) . . . . .	2
	387626	.002 undersize (Supersedes 317625) . . . . .	2
	387627	.020 undersize . . . . .	
	No. 3, 1951-2001-11-2101-11		
	387608	standard (Supersedes 303393) . . . . .	1
	387609	.001 undersize (Supersedes 320365) . . . . .	1
	387610	.002 undersize (Supersedes 317626) . . . . .	1
	387611	.020 undersize . . . . .	1
	No. 5, 1951-2001-11-2101-11		
	387632	standard (Supersedes 303394) . . . . .	1
	387633	.001 undersize (Supersedes 320366) . . . . .	1
	387634	.002 undersize (Supersedes 317627) . . . . .	1
	387635	.020 undersize . . . . .	1

CODE NO.	PART NO.	DESCRIPTION AND MODELS	PER CAR
<b>CRANKSHAFT—Continued</b>			
5.0402	BEARING ASSEMBLY - CRANKSHAFT (Cont'd)		
	No. 1, 2000-10-2100-30		
	387608	standard (Supersedes 303393) . . . . .	1
	387609	.001 undersize (Supersedes 320365) . . . . .	1
	387610	.002 undersize (Supersedes 317626) . . . . .	1
	387611	.020 undersize . . . . .	
	Nos. 2 & 3, 2000-10-2100-30		
	387612	standard (Supersedes 303391) . . . . .	2
	387613	.001 undersize (Supersedes 320363) . . . . .	2
	387614	.002 undersize (Supersedes 317624) . . . . .	2
	387615	.020 undersize . . . . .	
	No. 4, 2000-10-2100-30		
	387632	standard (Supersedes 303394) . . . . .	1
	387633	.001 undersize (Supersedes 320366) . . . . .	1
	387634	.002 undersize (Supersedes 317627) . . . . .	1
	387635	.020 undersize . . . . .	1
	No. 1, 2003-06-2103-06-26		
	387616	standard (Supersedes 348630) . . . . .	1
	387617	.001 undersize (Supersedes 348634) . . . . .	1
	387618	.002 undersize (Supersedes 382679) . . . . .	1
	387619	.020 undersize . . . . .	1
	Nos. 2, 3, 4, 6, 7, 8, 2003-06-2103-06-26		
	387640	standard (Supersedes 348631) . . . . .	6
	387641	.001 undersize (Supersedes 348635) . . . . .	6
	387642	.002 undersize (Supersedes 382680) . . . . .	6
	387643	.020 undersize . . . . .	6
	No. 5, 2003-06-2103-06-26		
	387648	standard (Supersedes 348632) . . . . .	1
	387649	.001 undersize (Supersedes 348636) . . . . .	1
	387650	.002 undersize (Supersedes 382681) . . . . .	1
	387651	.020 undersize . . . . .	1
	No. 9, 2003-06-2103-06-26		
	387644	standard (Supersedes 348633) . . . . .	1
	387645	.001 undersize (Supersedes 348637) . . . . .	1
	387646	.002 undersize (Supersedes 382682) . . . . .	1
	387647	.020 undersize . . . . .	1
5.0403	BEARING CAP		
	324719	#1, 1951-2001-11-2101-11 . . . . .	1
	324720	#2, 4, 1951-2001-11-2101-11 . . . . .	2
	324721	#3, 1951-2001-11-2101-11 . . . . .	1
	324731	#5, 1951-2001-11-2101-11 . . . . .	1
	324716	#1, 2000-10-2100-30 . . . . .	1
	324717	#2, 3, 2000-10-2100-30 . . . . .	2
	324730	#4, 2000-10-2100-30 . . . . .	1
	341469	#1, 2003-06-2103-06-26 . . . . .	1
	341470	#2, 3, 4, 6, 7, 8, 2003-06-2103-06-26 . . . . .	6
	341471	#5, 2003-06-2103-06-26 . . . . .	1
	362013	#9, 2003-06-2103-06-26 . . . . .	1

CODE NO.	PART NO.	DESCRIPTION AND MODELS	PER CAR
<b>CRANKSHAFT—Continued</b>			
5.0404	SCREW - BEARING CAP		
324732	plain hex. head,		
	1951-2001-11-2101-11 . . . . .	12	
	2000-10-2100-30 . . . . .	10	
	2003-06-2103-06-26 . . . . .	20	
403517	cupped hex. head,		
	1951-2001-11-2101-11 . . . . .	12	
	2000-10-2100-30 . . . . .	10	
	2003-06-2103-06-26 . . . . .	20	
302441	Lock, long, not used with cupped hex. head screws,		
	1951-2001-11 . . . . .	4	
	2000-10 . . . . .	3	
	2003-06 . . . . .	8	
384764	Lock, long		
	2100-30 . . . . .	3	
	2101-11 . . . . .	4	
	2103-06-26 . . . . .	7	
300014	Lock, short, not used with cupped hex. head screws, 1951-2000-01-03-06-10-11-2100-01-03-06-11-26-30 . . . . .	2	
5.0405	SCREW LOCK AND OIL STRAINER BRACKET BRACE ASSEMBLY - BEARING CAP		
367060	2003-06-2103-06-26 . . . . .	1	
5.0407	OIL SEAL - REAR BEARING CAP (WOOD)		
300191	1951-2000-01-03-06-10-11-2100-01-03-06-11-26-30 . . . . .	2	
5.0408	OIL SEAL - REAR BEARING		
362010	2003-06-2103-06-26 . . . . .	2	
5.0410	SPROCKET		
304265	1951-2000-01-03-06-10-11-2100-01-03-06-11-26-30 . . . . .	1	
300064	Key, 1951-2000-01-10-11-2100-01-11-30 . . . . .	1	
341873	Key, 2003-06-2103-06-26 . . . . .	1	
<b>CYLINDER</b>			
<i>When ordering cylinder &amp; piston assy. for 1951, order one 387670 Support-Idler Lever Shaft.</i>			
5.05Q0	CYLINDER AND PISTON ASSEMBLY		
379285	standard, 1951-2001-11-2101-11 . . . . .	1	
379283	standard, 2000-10-2100-30 . . . . .	1	
379287	standard, 2003-06-2103-06-26 . . . . .	1	
320578	Plug, expansion, 2" (50.810) 1951-2000-01-03-06-10-11-2100-01-03-06-11-26-30 . . . . .	3	
4471	Plug 3/8 headless pipe, oil passage end, (50.720) 1951-2000-01-10-11-2100-01-11-30 . . . . .	1	
4559	Plug, 1/8 headless pipe, oil passage, (50.720) 1951-2001-11-2101-11 . . . . .	5	
	2000-10-2100-30 . . . . .	4	
	2003-06-2103-06-26 . . . . .	9	

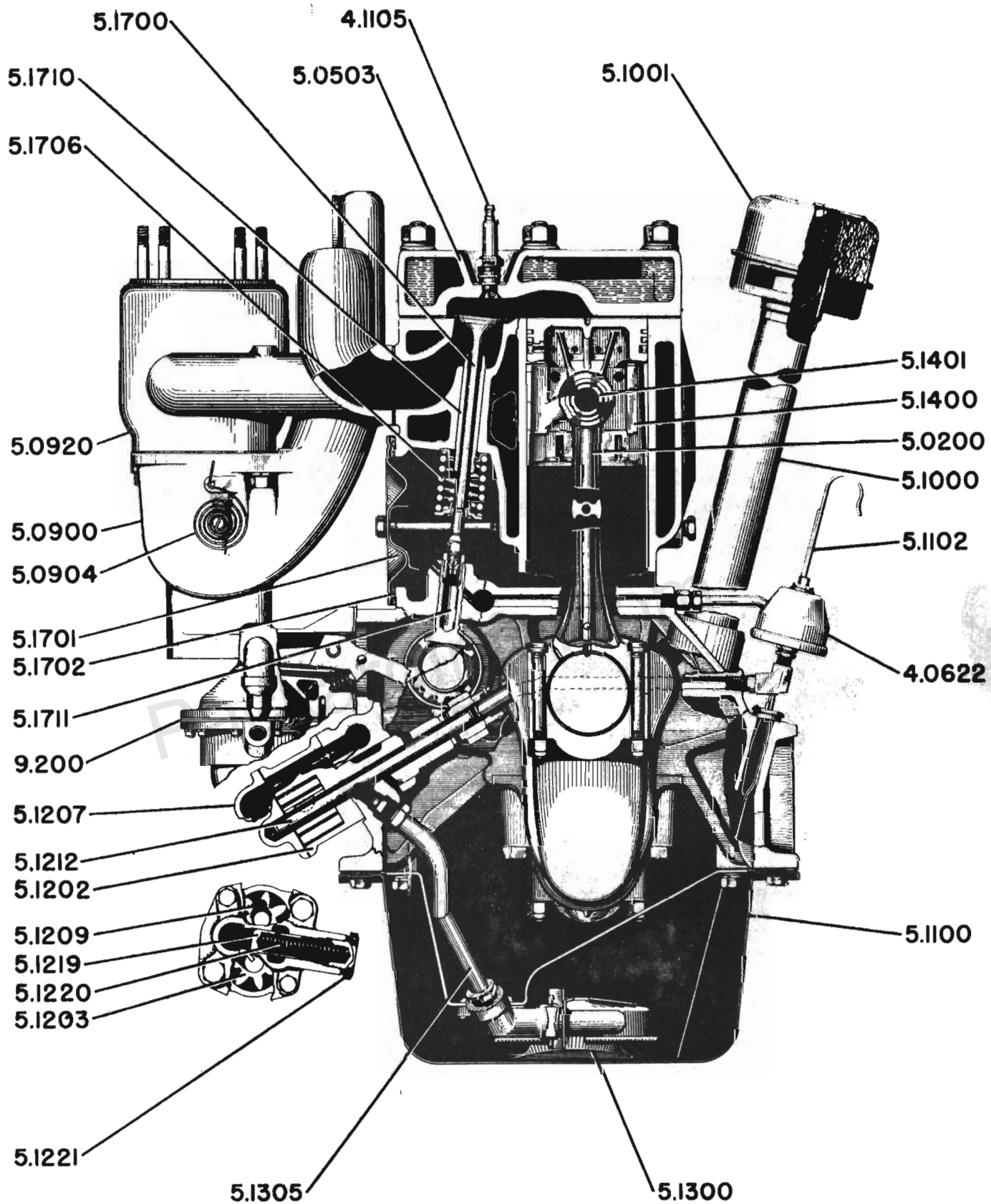
CODE NO.	PART NO.	DESCRIPTION AND MODELS	PER CAR
<b>CRANKSHAFT—Continued</b>			
5.0500	CYLINDER AND PISTON ASSEMBLY (Cont'd)		
5421	Plug 1/8 hex. head pipe, water jacket drain, (50.720) 1951-2000-01-03-06-10-11-2100-01-03-06-11-26-30 . . . . .	1	
300193	Plug, camshaft rear bearing, 1951-2000-01-03-06-10-11-2100-01-03-06-11-26-30 . . . . .	1	
5.0503	CYLINDER HEAD ASSEMBLY		
367636	1951-2001-11-2101-11 . . . . .	1	
367634	2000-10-2100-30 . . . . .	1	
351254	2003-06-2103-06-26 . . . . .	1	
6646	Plug 3/8-18 hex. head pipe, core hole, (50.720) 2003-06-2103-06-26 . . . . .	1	
6721	Plug 3/8-18 square head pipe, heater hole, (50.720) 1951-2000-01-10-11-2100-01-11-30 . . . . .	1	
341119	Stud 7/16 x 3-3/32 (50.090) 1951-2001-11-2101-11 . . . . .	29	
	2000-10-2100-30 . . . . .	23	
	2003-06-2103-06-26 . . . . .	38	
125485	Stud 7/16-20 x 3-7/16, used with air conditioning (50.090)		
	1951-2000-01-10-11 . . . . .	3	
	2003-06 . . . . .	4	
3883	Washer 7/16 (50.200) 1951-2001-11-2101-11 . . . . .	24	
	2000-10-2100-30 . . . . .	18	
	2003-06-2103-06-26 . . . . .	34	
216371	Nut 7/16-20 (50.100) 1951-2001-11-2101-11 . . . . .	29	
	2000-10-2100-30 . . . . .	23	
	2003-06-2103-06-26 . . . . .	38	
▲ 5.0504	GASKET - HEAD		
324284	standard, 2000-10-2100-30 . . . . .	1	
341730	extra thick, 2000-10-2100-30 . . . . .	1	
335676	standard, 1951-2001-11-2101-11 . . . . .	1	
341731	extra thick, 1951-2001-11-2101-11 . . . . .	1	
341364	standard, 2003-06-2103-06-26 . . . . .	1	
358180	extra thick, 2003-06-2103-06-26 . . . . .	1	
5.0506	THERMOSTAT ASSEMBLY - HEAD		
300066	standard, 145°, 1951-2000-01-10-11-2100-01-11-30 . . . . .	1	
PA304632	160°, used with permanent anti-freeze, 1951-2000-01-10-11-2100-01-11-30 . . . . .	1	
PA330643	173°, used with permanent anti-freeze, 1951-2000-01-10-11-2100-01-11-30 . . . . .	1	
351540	standard, 145°, 2003-06-2103-06-26 . . . . .	1	
	160°, used with permanent anti-freeze, 2003-06-2103-06-26 . . . . .	1	
5.0507	RETAINER - HEAD THERMOSTAT		
348537	1951-2000-01-10-11-2100-01-11-30 . . . . .	1	
PA351536	2003-06-2103-06-26 . . . . .	1	



LONGITUDINAL SECTIONS OF ENGINE (EIGHT)

CODE NO.	PART NO.	DESCRIPTION AND MODELS	PER CAR
<b>CYLINDER—Continued</b>			
5.0508		<b>FLANGE - HEAD WATER OUTLET</b>	
348919		1951-2000-01-10-11-2100-01-11-30 . . . . .	1
377821		2003-06-2103-06 . . . . .	1
387551	2126 . . . . .		1
5893		Screw 3/8-16 x 7/8 hex. head (50.003) 1951-2000-01-10-11-2100-01-11-30 . . . . .	2
7045		Screw 3/8-16 x 2-1/4 hex. head (50.003) 2003-06-2103-06-26 . . . . .	1
5506		Lockwasher 3/8 (50.220) 1951-2000-01-03-06-10-11-2100-01-03-06-11-26-30 . . . . .	2
351538		Stud 3/8 x 2-5/8, cylinder head, (50.090) 2003-06-2103-06-26 . . . . .	1
7006		Nut 3/8-24 (50.100) 2003-06-2103-06-26 . . . . .	1
5.0509		<b>GASKET - HEAD WATER OUTLET FLANGE</b>	
348526		1951-2000-01-10-11-2100-01-11-30 . . . . .	1
348828		2003-06-2103-06-26 . . . . .	1
5.0512		<b>PLUG ASSEMBLY - OIL GALLERY METERING</b>	
362863		1951-2000-01-10-11-2100-01-11-30 . . . . .	1
5.0513		<b>TUBE ASSEMBLY - OIL PASSAGE CONNECTING</b>	
371855		1951-2000-01-10-11-2100-01-11-30 . . . . .	1
364337		2003-06-2103-06-26 . . . . .	1
302492		Union nut 1/4, 1951-2000-01-10-11-2100-01-11-30 . . . . .	2
371856		Tee, 1951-2000-01-10-11-2100-01-11-30 . . . . .	1
364403		Tee, 2003-06-2103-06-26 . . . . .	1
6659		Connector, 1/4 flared tube (50.725) 1951-2000-01-03-06-10-11-2100-01-03-06-11-26-30 . . . . .	1
5.0517		<b>PLATE - VENTILATOR BAFFLE</b>	
320551		1951-2000-01-10-11-2100-01-11-30 . . . . .	1
315999		Nut, 1951-2000-01-10-11-2100-01-11-30 . . . . .	1
7375		Screw 5/16-24 x 11/16 (50.003) 1951-2000-01-10-11-2100-01-11-30 . . . . .	1
5504		Lockwasher 5/16 (50.220) 1951-2000-01-10-11-2100-01-11-30 . . . . .	1
▲ 5.0518		<b>TUBE ASSEMBLY - VENTILATOR OUTLET</b>	
333934		1951-2000-01-10-11-2100-01-11 . . . . .	1
341944		2003-06-2103-06-26 . . . . .	1
5.0519		<b>CLAMP - VENTILATOR OUTLET TUBE</b>	
315617		1951-2000-01-10-11-2100-01-11-30 . . . . .	1
240743		2003-06-2103-06-26 . . . . .	1
7804		Screw 5/16-18 x 3/4 hex head (50.003) 1951-2000-01-10-11-2100-01-11-30 . . . . .	1
5504		Lockwasher 5/16 (50.220) 1951-2000-01-10-11-2100-01-11-30 . . . . .	1
5.0520		<b>GASKET - VENTILATOR OUTLET TUBE</b>	
302311		1951-2000-01-10-11-2100-01-11-30 . . . . .	1
5.0531		<b>MANIFOLD ASSEMBLY - WATER</b>	
320598		2000-10-2100-30 . . . . .	1
320619		1951-2001-11-2101-11 . . . . .	1
351060		2003-06-2103-06-26 . . . . .	1

CODE NO.	PART NO.	DESCRIPTION AND MODELS	PER CAR
<b>FLYWHEEL</b>			
▲ 5.0600		<b>FLYWHEEL ASSEMBLY</b>	
		Without suffix letter to motor number	
358019		2000-10-2100 . . . . .	1
358020		used with Electromatic clutch, 2000-10-2100 . . . . .	1
358020		1951-2001-11-2101-11 . . . . .	1
341477		2003-06-2103-06-26 . . . . .	1
		With suffix letter "A" to engine number	
358020		2101-11 . . . . .	1
395931		2100 . . . . .	1
395929		2130 . . . . .	1
		With suffix letter "B" to engine number	
358020		2101-11 . . . . .	1
341477		2103-06-26 . . . . .	1
395931		2100 . . . . .	1
395929		2130 . . . . .	1
300162		Screw 7/16-20 x 13/16 (50.003) 1951-2000-01-10-11-2100-01-11-30 . . . . .	6
371074		Screw 1/2-20 x 1-1/4 (50.003) 2003-06-2103-06-26 . . . . .	6
300163		Lock plate, 1951-2000-01-10-11-2100-01-11-30 . . . . .	3
341665		Lock plate, 2003-06-2103-06-26 . . . . .	3
▲ 5.0603		<b>HOUSING ASSEMBLY</b>	
367492		1951-2000-01-10-11-2100-01-11-30 . . . . .	1
341718		2003-06-2103-06-26 . . . . .	1
7246		Screw 7/16-14 x 1-1/8 hex. head (50.003) 1951-2000-01-03-06-10-11-2100-01-03-06-26-30 . . . . .	6
5508		Lockwasher 7/16 (50.220) 1951-2000-01-03-06-10-11-2100-01-03-06-11-26-30 . . . . .	6
6343		Dowel pin 3/8 x 13/16, to cylinder, (50.556) 1951-2000-01-03-06-10-11-2100-01-03-06-11-26-30 . . . . .	2
5.0604		<b>COVER - HOUSING LOWER</b>	
333656		1951-2000-01-10-11-2100-01-11-30 . . . . .	1
341689		2003-06-2103-06-26 . . . . .	1
6343		Dowel (50.556) 1951-2000-01-03-06-10-11-2100-01-03-06-11-26 . . . . .	2
6648		Screw 5/16-18 x 7/8 hex. head (50.003) 1951-2000-01-10-11-2100-01-11-30 . . . . .	6
6831		Screw 5/16-18 x 2-1/2 hex. head (50.003) 1951-2000-01-03-06-10-11-2100-01-03-06-11-26-30 . . . . .	2
7376		Screw 5/16-18 x 1 hex. head (50.003) 1951-2000-01-10-11-2100-01-11-30 . . . . .	2
6988		Screw and lockwasher assembly 5/16-18 x 7/8 hex. head (50.003) 2003-06-2103-06-26 . . . . .	8
7250		Plug, screw 1/2 x 13 x 5/8 hex. head, (50.003) 1951-2000-01-03-06-10-11-2100-01-03-06-11-26-30 . . . . .	1
5504		Lockwasher 5/16 (50.220) 2003-06-2103-06-26 . . . . .	2
		1951-2000-01-10-11-2100-01-11-30 . . . . .	10
6673		Lockwasher 1/2 internal, screw plug, (50.230) 1951-2000-01-03-06-10-11-2100-01-03-06-11-26-30 . . . . .	1



TRANSVERSE SECTIONS OF ENGINE (EIGHT)



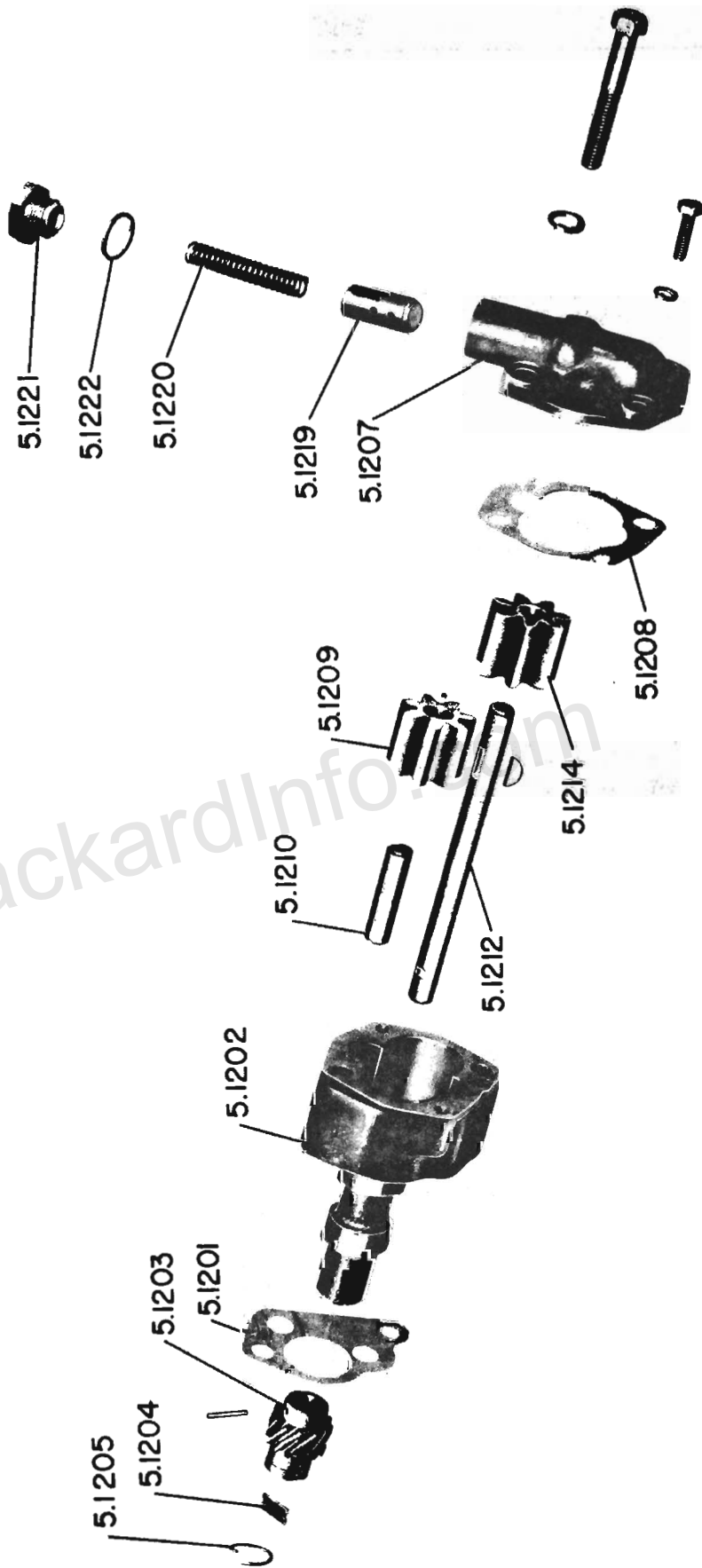
CODE NO.	PART NO.	DESCRIPTION AND MODELS	PER CAR
<b>FLYWHEEL-Continued</b>			
5.0605	FELT - HOUSING COVER LOWER		
300176	1951-2000-01-03-06-10-11-2100-01-03-06-11-26-30 . . . . .		1
5.0607	RETAINER AND SUPPORT ASSEMBLY - HOUSING COVER LOWER FELT		
333697	1951-2000-01-03-06-11-10-2100-01-03-06-11-26-30 . . . . .		1
7374	Screw 5/16-18 x 1/2 hex. head (50.003) 1951-2000-01-10-11-2100-01-11-30 . . . . .		3
6989	Screw and lockwasher assembly 5/16-18 x 9/16 hex. head (50.003) 2003-06-2103-06-26 . . . . .		3
5504	Lockwasher 5/16 (50.220) 1951-2000-01-10-11-2100-01-11-30 . . . . .		3
<b>GASKETS</b>			
5.0700	GASKET SET - COMBINATION (COMPLETE ENGINE)		
338687	2000-10-2100-30 . . . . .		1
338817	1951-2001-11-2101-11 . . . . .		1
373678	2003-06-2103-06-26 . . . . .		1
5.0701	GASKET SET - CARBON AND VALVE		
354427	2000-10-2100-30 . . . . .		1
354428	1951-2001-11-2101-11 . . . . .		1
<b>GEAR COVER</b>			
5.0800	COVER - GEAR		
304267	1951-2000-01-10-11-2100-01-11-30 . . . . .		1
341591	2003-06-2103-06-26 . . . . .		1
7379	Screw 5/16-24 x 5/8 hex. head (50.003) 1951-2000-01-03-06-10-11-2100-01-03-06-11-26-30 . . . . .		1
6988	Screw and lockwasher assembly 5/16-24 x 7/8 hex. head (50.003) 1951-2000-01-03-06-10-11-2100-01-03-06-11-26-30 . . . . .		7
5504	Lockwasher 5/16 (50.220) 1951-2000-01-03-06-10-11-2100-01-03-06-11-26-30 . . . . .		1
7005	Nut 5/16-24 (50.100) 1951-2000-01-03-06-10-11-2100-01-03-06-11-26-30 . . . . .		1
5.0801	GASKET		
300169	long, 1951-2000-01-10-11-2100-01-11-30 . . . . .		1
341612	long, 2003-06-2103-06-26 . . . . .		1
300170	snort, 1951-2000-01-10-11-2100-01-11-30 . . . . .		1
341611	short, 2003-06-2103-06-26 . . . . .		1
5.0802	REINFORCEMENT		
300172	1951-2000-01-10-11-2100-01-11-30 . . . . .		1
341663	2003-06-2103-06-26 . . . . .		1
5.0803	RETAINER ASSEMBLY - CRANKSHAFT FRONT OIL		
300103	1951-2000-01-03-06-10-11-2100-01-03-06-11-26-30 . . . . .		1
5.0805	INDICATOR - TIMING		
341125	1951-2000-01-10-11-2100-01-11-30 . . . . .		1
348549	2003-06-2103-06-26 . . . . .		1

CODE NO.	PART NO.	DESCRIPTION AND MODELS	PER CAR
<b>GEAR COVER-Continued</b>			
5.0806	PLATE ASSEMBLY - FRONT END		
324531	1951-2000-01-10-11-2100-01-11-30 . . . . .		1
341542	2003-06-2103-06-26 . . . . .		1
7804	Screw 5/16-18 x 3/4 hex. head (50.003) 1951-2000-2001-03-06-10-11-2100-01-03-06-11-26-30 . . . . .		1
5.0807	GASKET - FRONT END PLATE		
324552	1951-2000-01-10-11-2100-01-11-30 . . . . .		1
341588	right, 2003-06-2103-06-26 . . . . .		1
341587	left, 2003-06-2103-06-26 . . . . .		1
<b>MANIFOLD</b>			
5.0900	MANIFOLD ASSEMBLY - EXHAUST		
356894	1951-2001-11-2101-11 . . . . .		1
356729	2000-10-2100-30 . . . . .		1
367100	2003-06-2103-06-26 . . . . .		1
300171	Stud 3/8 x 2, to cylinder, (50.090) 1951-2001-11-2101-11 . . . . .		10
	2000-10-2100-30 . . . . .		4
	2003-06-2103-06-26 . . . . .		6
330779	Stud 3/8 x 4-9/16, to cylinder, 2000-10-2003-06-2100-03-06-26-30 . . . . .		2
300129	Washer 3/8, stud, (50.200) 1951-2001-11-2101-11 . . . . .		10
	2000-10-2100-30 . . . . .		4
	2003-06-2103-06-26 . . . . .		6
205429	Nut 3/8-24, stud, (50.100) 1951-2001-11-2101-11 . . . . .		10
	2000-10-2100-30 . . . . .		6
	2003-06-2103-06-26 . . . . .		8
5.0901	CLAMP - EXHAUST MANIFOLD HOLD DOWN		
330780	2000-03-06-10-2100-03-06-26-30 . . . . .		2
5.0902	GASKET SET - EXHAUST AND INTAKE MANIFOLD		
351093	2000-10-2100-30 . . . . .		1
303906	1951-2001-11-2101-11 . . . . .		1
371230	2003-06-2103-06-26 . . . . .		1
5.09035	TUBE - EXHAUST MANIFOLD AUTOMATIC CHOKE HEAT		
356758	1951-2100-01-11-30 . . . . .		1
356758	not used with manifold having heat chamber cover, 2001-01-10-11 . . . . .		1
356813	not used with manifold having heat chamber cover, 2003-06 . . . . .		1
356813	2103-06-26 . . . . .		1
5.0904	THERMOSTAT - EXHAUST MANIFOLD HEAT CONTROL		
326837	1951-2000-01-10-11-2100-01-11-30 . . . . .		1
351020	2003-06-2103-06-26 . . . . .		1
5.0906	COVER - EXHAUST MANIFOLD HEAT CONTROL THERMOSTAT		
210016	2003-06-2103-06-26 . . . . .		1

CODE NO.	PART NO.	DESCRIPTION AND MODELS	PER CAR	CODE NO.	PART NO.	DESCRIPTION AND MODELS	PER CAR
<b>MANIFOLD—Continued</b>				<b>MANIFOLD—Continued</b>			
5.0906		<b>COVER - EXHAUST MANIFOLD HEAT CONTROL THERMOSTAT (Cont'd)</b>		5.0916		<b>WEIGHT - EXHAUST MANIFOLD HEAT CONTROL VALVE SHAFT (Cont'd)</b>	
	6326	Stud 1/4 (50.090) 2003-06-2103-06-26 . . .	2		7003	Nut #10-32 (50.100) 2003-06-2103-06-26 . . .	1
	3868	Washer 1/4 (50.200) 2003-06-2103-06-26 . . .	2	5.0919		<b>SPRING- EXHAUST MANIFOLD HEAT CONTROL VALVE STOP</b>	
	7404	Nut 1/4-28 (50.100) 2003-06-2103-06-26 . . .	2		213746	2003-06-2103-06-26 . . . . .	1
5.0907		<b>PIN - EXHAUST MANIFOLD HEAT CONTROL THERMOSTAT</b>			213744	Pin, 2003-06-2103-06-26 . . . . .	1
	315060	1951-2000-01-10-11-2100-01-11-30 . . . . .	1	<sup>▲</sup> 5.0920		<b>MANIFOLD ASSEMBLY - INTAKE</b>	
5.0908		<b>VALVE - EXHAUST MANIFOLD HEAT CONTROL</b>			367644	2000-10-2100 . . . . .	1
	315061	1951-2000-01-10-11-2100-01-11-30 . . . . .	1		367643	1951-2001-11-2101-11 . . . . .	1
	213472	2003-06-2103-06-26 . . . . .	1		379368	2003-06-2103-06-26 . . . . .	1
5.0909		<b>PIN - EXHAUST MANIFOLD HEAT CONTROL VALVE</b>			315059	Screw 3/8-16 x 3-1/2, to exhaust manifold, (50.003) 2000-10-2100-30 . . . . .	1
	358764	1951-2000-01-10-11-2100-01-11-30 . . . . .	1		7243	Screw 3/8-16-x 1-1/8, to exhaust manifold, (50.003) 1951-2001-03-06-11-2101-03-06-11-26 . . . . .	3
5.09095		<b>REPAIR KIT - EXHAUST MANIFOLD HEAT CONTROL VALVE</b>			302770	Washer 3/8 (50.200) 2000-10-2100-30 . . . . .	1
	98780	1951-2000-01-10-11-2100-01-11-30 . . . . .	1		6985	Plug 1/8 pipe (50.720) 2003-06-2103-06-26 . . . . .	1
	98782	2003-06-2103-06-26 . . . . .	1		4564	Plug 1/4 sq. hd. pipe (50.720) 1951-2000-01-03-06-10-11-2100-01-03-06-11-26 . . . . .	1
5.0910		<b>SHAFT - EXHAUST MANIFOLD HEAT CONTROL VALVE</b>			6721	Plug 3/8-18 pipe (50.720) 2000-01-03-06-10-11-2100-06-03-06-11-26-30 . . . . .	1
	315062	1951-2000-01-10-11-2100-01-11-30 . . . . .	1				
	213520	2003-06-2103-06-26 . . . . .	1				
	3874	Washer 5/16 (50.200) 2003-06-2103-06-26 . . . . .	1				
	4280	Cotter pin 1/16 x 1/2 (50.240) 2003-06-2103-06-26 . . . . .	1				
5.0911		<b>SHAFT AND WEIGHT ASSEMBLY - EXHAUST MANIFOLD HEAT CONTROL VALVE</b>		5.1000		<b>FILLER ASSEMBLY - OIL</b>	
	315281	1951-2000-01-10-11-2100-01-11-30 . . . . .	1		373545	1951-2000-01-03-06-10-11-2100-01-03-06-11-26-30 . . . . .	1
5.0913		<b>BUSHING - EXHAUST MANIFOLD HEAT CONTROL VALVE SHAFT</b>			373183	used with air conditioning, 1951-2000-01-10-11 . . . . .	1
	213480	2003-06-2103-06-26 . . . . .	2	<sup>▲</sup> 5.1001		<b>CAP - OIL FILLER</b>	
	384214	2100-01-11-30 . . . . .	2		373550	1951-2000-01-03-06-10-11-2100-01-03-06-11-26 . . . . .	1
5.0914		<b>SPACER - EXHAUST MANIFOLD HEAT CONTROL VALVE SHAFT</b>		<sup>▲</sup> 5.1009		<b>FILTER &amp; BRACKETS ASSEMBLY - OIL</b>	
	213518	long, 2003-06-2103-06-26 . . . . .	1		PA341763	1951 . . . . .	1
	213481	short, 2003-06-2103-06-26 . . . . .	1		PA378575	2000-01-03-06-10-11-2100-01-03-06-11-26 . . . . .	1
5.0915		<b>RING - EXHAUST MANIFOLD HEAT CONTROL VALVE SHAFT THERMOSTAT RETAINING</b>		<sup>▲</sup> 5.10097		<b>GASKET - OIL FILTER</b>	
	317788	1951-2000-01-10-11-2100-01-11-30 . . . . .	1		PA341723	1951 . . . . .	1
					PA378599	2000-01-03-06-10-11-2100-01-03-06-11-26 . . . . .	1
5.0916		<b>WEIGHT - EXHAUST MANIFOLD HEAT CONTROL VALVE SHAFT</b>		<sup>▲</sup> 5.10098		<b>CARTRIDGE AND GASKET KIT - OIL FILTER</b>	
	315063	1951-2000-01-10-11-2100-01-11-30 . . . . .	1		PA351405	1951 . . . . .	1
	348307	2003-06-2103-06-26 . . . . .	1		PA378579	2000-01-03-06-10-11-2100-01-03-06-11-26 . . . . .	1
	213745	Key, 2003-06-2103-06-26 . . . . .	1	<sup>▲</sup> 5.1010		<b>BRACKET - OIL FILTER</b>	
	300181	Pin (50.805) 1951-2000-01-10-11-2100-01-11-30 . . . . .	1		PA341726	1951 . . . . .	1
	5966	Screw #10-32 x 7/8 fillister head (50.004) 2003-06-2103-06-26 . . . . .	1		PA378577	2000-01-03-06-10-11-2100-01-03-06-11-26 . . . . .	1
	5500	Lockwasher #10 (50.220) 2003-06-2103-06-26 . . . . .	1		PA378344	used with air conditioning, 2003-06 . . . . .	1
					7344	Screw 5/16-18 x 3/4 (50.003) 1951 . . . . .	2
						used with air conditioning, 2003-06 . . . . .	2

CODE NO.	PART NO.	DESCRIPTION AND MODELS	PER CAR
<b>OIL FILLER and FILTER—Continued</b>			
▲ 5.1010	<b>BRACKET - OIL FILTER (Cont'd)</b>		
6016	Stud 3/8 (50.090)	2003-06-2100-01-03-06-11-26 . . . . .	2
3874	Washer 5/16 (50.200)	1951 . . . . .	2
		used with air conditioning, 2003-06 . . . . .	2
3877	Washer 3/8 (50.200)	2003-06-2100-01-03-06-11-26 . . . . .	2
5504	Lockwasher 5/16 (50.220)	1951 . . . . .	2
		used with air conditioning, 2003-06 . . . . .	2
6902	Nut 3/8-24 (50.100)	2003-06-2100-01-03-06-11-26 . . . . .	2
7005	Nut 5/16-24, used with air conditioning	(50.100) 2003-06 . . . . .	2
▲ 5.1015	<b>TUBE ASSEMBLY - OIL FILTER INLET</b>		
PA373209	1951 . . . . .		1
PA378580	2000-10-2100 . . . . .		1
PA378582	2001-11-2101-11 . . . . .		1
PA378655	2003-06-2103-06-26 . . . . .		1
PA378343	used with air conditioning, 2003-06 . . . . .		1
PA378361	Elbow, to filter restriction, 2003-06-2103-06-26 . . . . .		1
6664	Elbow, 2000-01-10-11-2100-01-11-30 . . . . .		1
5.1016	<b>TUBE ASSEMBLY - OIL FILTER OUTLET</b>		
PA373210	1951 . . . . .		1
PA378581	2000-10-2100-30 . . . . .		1
PA378583	2001-11-2101-11 . . . . .		1
PA378654	2003-06-2103-06-26 . . . . .		1
PA378342	used with air conditioning, 2003-06 . . . . .		1
6664	Elbow 1/4, to cylinder connector, (50.725) 1951-2000-01-10-11-2100-01-11-30 . . . . .		1
6659	Connector, to cylinder, (50.725) 2003-06-2103-06-26 . . . . .		1
<b>OIL PAN</b>			
5.1100	<b>OIL PAN ASSEMBLY</b>		
371066	1951 . . . . .		1
367661	2000-10-2100-30 . . . . .		1
373986	2001-11-2101-11 . . . . .		1
371237	2003-06-2103-06-26 . . . . .		1
6989	Screw and lockwasher assembly 5/16-18 x 9/16 hex. head, 1951-2001-03-06-11-2101-03-06-11-26 . . . . .		26
	2000-10-2100-30 . . . . .		22
7081	Screw 5/16-18 x 5/8 hex. head (50.003) 1951-2000-01-03-06-10-11-2100-01-03-06-11-26-30 . . . . .		4
362091	Stud 5/16 (50.090) 1951-2000-01-03-06-10-11-2100-01-03-06-11-26-30 . . . . .		1
6359	Washer 5/16, Stud, (50.200) 1951-2000-01-03-06-10-11-2100-01-03-06-11-26-30 . . . . .		2
5504	Lockwasher 5/16, Screw, (50.220) 1951-2000-01-03-06-10-11-2100-01-03-06-11-26-30 . . . . .		4

CODE NO.	PART NO.	DESCRIPTION AND MODELS	PER CAR
<b>OIL PAN—Continued</b>			
5.1100	<b>OIL PAN ASSEMBLY (Cont'd)</b>		
7005	Nut 5/16-24, Stud, (50.100)	1951-2000-01-03-06-10-11-2100-01-03-06-11-26-30 . . . . .	1
354310	Gasket, Stud, (50.660)	1951-2000-01-03-06-10-11-2100-01-03-06-11-26-30 . . . . .	1
300233	Plug 5/8-18 pipe, Drain, (50.720)	1951-2000-01-03-06-10-11-2100-01-03-06-11-26-30 . . . . .	1
111192	Gasket 5/8, Drain plug, (50.660)	1951-2000-01-03-06-10-11-2100-01-03-06-11-26-30 . . . . .	1
5.1101	<b>GASKET SET - OIL PAN</b>		
378859	1951-2001-11-2101-11 . . . . .		1
354755	2000-10-2100-30 . . . . .		1
354757	2003-06-2103-06-26 . . . . .		1
5.11015	<b>GASKET</b>		
315065	right, 2000-10-2100-30 . . . . .		1
300295	right, 1951-2001-11-2101-11 . . . . .		1
341661	right, 2003-06-2103-06-26 . . . . .		1
315064	left, 2000-10-2100-30 . . . . .		1
377314	left, 1951-2001-11-2101-11 . . . . .		1
341662	left, 2003-06-2103-06-26 . . . . .		1
▲ 5.1102	<b>INDICATOR ASSEMBLY - OIL LEVEL</b>		
371208	1951 . . . . .		1
384098	2000-10-2100 . . . . .		1
377298	2001-11-2101-11 . . . . .		1
384099	2003-06-2103-06-26 . . . . .		1
<b>OIL PUMP</b>			
5.1200	<b>PUMP ASSEMBLY - OIL</b>		
324402	1951-2000-01-10-11-2100-01-11-30 . . . . .		1
387862	2003-06-2103-06-26 . . . . .		1
302803	Screw 3/8-16 x 2-3/4 hex. head (50.003) 1951-2000-01-10-11-2100-01-11-30 . . . . .		2
6987	Screw 3/8-16 x 3 hex. head (50.003) 2003-06-2103-06-26 . . . . .		4
5506	Lockwasher 3/8 (50.220) 1951-2000-01-10-11-2100-01-11-30 . . . . .		2
	2003-06-2103-06-26 . . . . .		4
5.1201	<b>GASKET</b>		
300735	1951-2000-01-10-11-2100-01-11-30 . . . . .		1
341579	2003-06-2103-06-26 . . . . .		1
5.1202	<b>BODY</b>		
302807	1951-2000-01-10-11-2100-01-11-30 . . . . .		1
341523	2003-06-2103-06-26 . . . . .		1
5.1203	<b>GEAR - CAMSHAFT</b>		
324401	1951-2000-01-10-11-2100-01-11-30 . . . . .		1
341597	2003-06-2103-06-26 . . . . .		1
300181	Pin (50.805) 1951-2000-01-10-11-2100-01-11-30 . . . . .		1



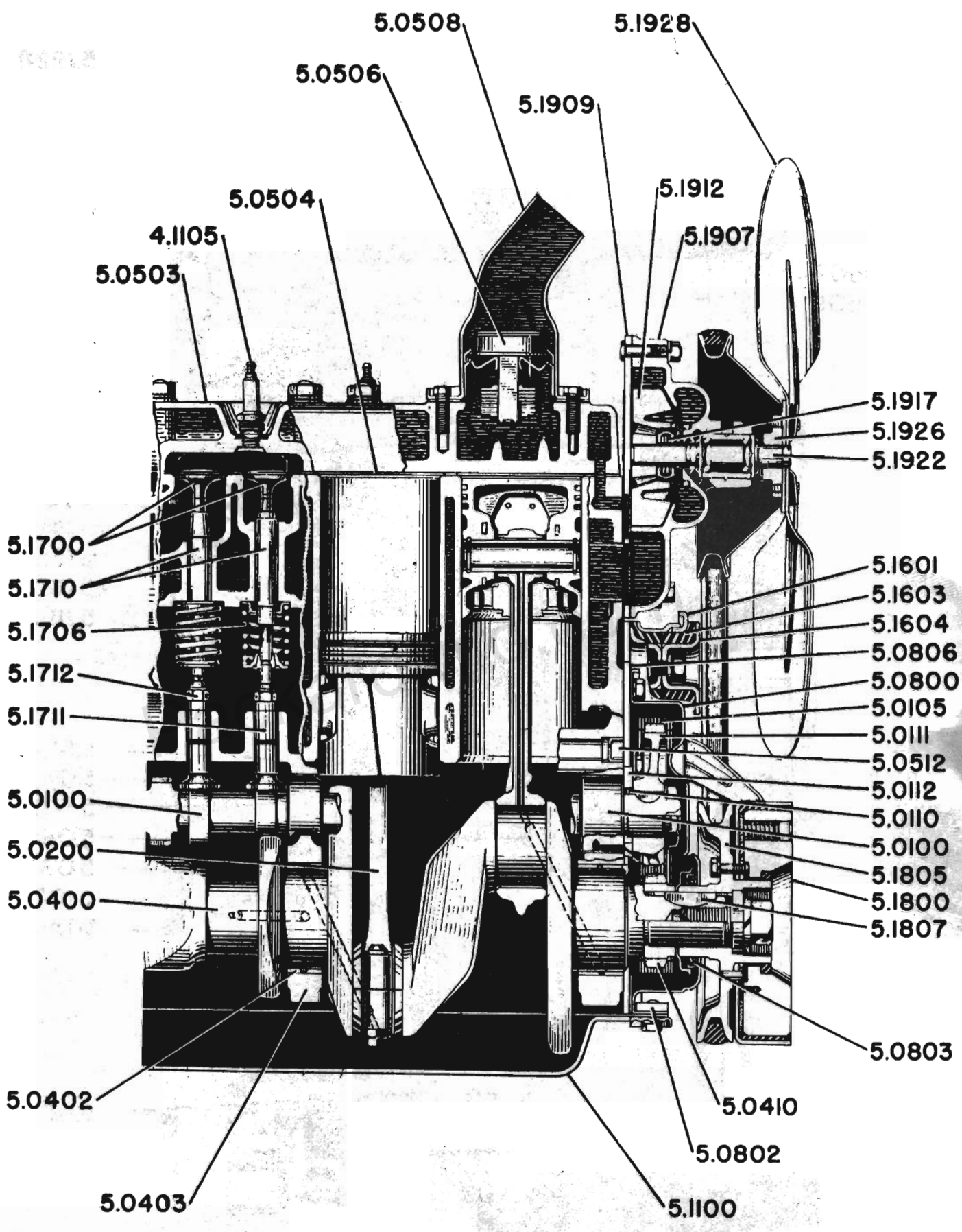
OIL PUMP

CODE NO.	PART NO.	DESCRIPTION AND MODELS	PER CAR	CODE NO.	PART NO.	DESCRIPTION AND MODELS	PER CAR
<b>OIL PUMP—Continued</b>				<b>OIL PUMP—Continued</b>			
5.1203	GEAR - CAMSHAFT (Cont'd)			5.1220	SPRING - PRESSURE RELIEF VALVE PISTON		
341651	Pin (50.805) 2003-06-2103-06-26 . . . . .		1	354184	1951-2000-01-10-11-2100-01-11-30 . . . . .		1
5.1204	BLADE - CAMSHAFT GEAR DISTRIBUTOR DRIVING			354434	2003-06-2103-06-26 . . . . .		1
324305	1951-2000-01-03-06-10-11-2100-01-03-06-11-26-30 . . . . .		1	5.1221	RETAINER - PRESSURE RELIEF VALVE PISTON SPRING		
5.1205	RETAINER - CAMSHAFT GEAR DISTRIBUTOR DRIVING BLADE			303928	1951-2000-01-03-06-10-11-2100-01-03-06-11-26-30 . . . . .		1
300150	1951-2000-01-03-06-10-11-2100-01-03-06-11-26-30 . . . . .		1	5.1222	GASKET - PRESSURE RELIEF VALVE PISTON SPRING RETAINER		
5.1206	KIT - COVER			21662	1951-2000-01-03-06-10-11-2100-01-03-06-11-26-30 . . . . .		1
304046	1951-2000-01-10-11-2100-01-11-30 . . . . .		1	<b>OIL STRAINER</b>			
338955	special for dusty area, 1951-2000-01-10-11-2100-01-11-30 . . . . .		1	5.1300	OIL STRAINER ASSEMBLY		
387665	2003-06-2103-06-26 . . . . .		1	334659	1951-2000-01-10-11-2100-01-11-30 . . . . .		1
5.1207	COVER			371116	2003-06-2103-06-11-26 . . . . .		1
303926	1951-2000-01-10-11-2100-01-11-30 . . . . .		1	4307	Cotter pin 1/8 x 1-1/8 (50.240) 1951-		
341551	2003-06-2103-06-26 . . . . .		1	4309	2000-01-10-11-2100-01-11-30 . . . . .		1
7248	Screw 1/4-20 x 7/8 hex. head (50.003) 1951-2000-01-10-11-2100-01-11-30 . . . . .		2	4309	Cotter pin 1/8 x 1-3/8 (50.240) 2003-06-2103-06-26 . . . . .		1
7833	Screw 3/8-16 x 1 hex. head (50.003) 2003-06-2103-06-26 . . . . .		2	5.1301	BEARING AND BRACKET ASSEMBLY		
5502	Lockwasher 1/4 (50.220) 1951-2000-01-10-11-2100-01-11-30 . . . . .		2	367839	1951-2000-01-10-11-2100-01-11-30 . . . . .		1
5506	Lockwasher 3/8 (50.220) 2003-06-2103-06-26 . . . . .		2	5.1302	BRACKET		
5.1208	GASKET - COVER			367838	1951-2000-01-10-11-2100-01-11-30 . . . . .		1
303930	1951-2000-01-10-11-2100-01-11-30 . . . . .		1	341601	2003-06-2103-06-26 . . . . .		1
341555	2003-06-2103-06-26 . . . . .		1	4156	Rivet 3/16 x 5/8 rnd. head (50.400) 1951-2000-01-10-11-2100-01-11-30 . . . . .		2
5.1209	IMPELLER - DRIVEN			6989	Screw and lockwasher assembly 5/16-18 x 9/16, to cylinder, (50.003) 1951-2000-01-10-11-2100-01-11-30 . . . . .		2
302804	1951-2000-01-10-11-2100-01-11-30 . . . . .		1	7376	Screw 5/16-18 x 1, to cylinder, (50.003) 2003-06-2103-06-26 . . . . .		2
215947	with bushing, 2003-06-2103-06-26 . . . . .		1	5504	Lockwasher 5/16 (50.220) 2003-06-2103-06-26 . . . . .		2
5.1210	SHAFT - DRIVEN IMPELLER			5.1303	GASKET - BRACKET		
302802	1951-2000-01-10-11-2100-01-11-30 . . . . .		1	341668	2003-06-2103-06-26 . . . . .		1
341581	2003-06-2103-06-26 . . . . .		1	5.1305	TUBE - SUCTION		
5.1212	SHAFT - DRIVING			367923	1951-2000-10-2100-30 . . . . .		1
302806	1951-2000-01-10-11-2100-01-11-30 . . . . .		1	373844	2001-11-2101-11 . . . . .		1
341580	2003-06-2103-06-26 . . . . .		1	300305	Nut (50.725) 1951-2000-01-10-11-2100-01-11-30 . . . . .		2
5.1213	BUSHING - DRIVING SHAFT			<b>PISTON</b>			
216137	2003-06-2103-06-26 . . . . .		2	5.1400	PISTON ASSEMBLY (ALUMINUM)		
5.1214	IMPELLER - DRIVING			348578	standard, 2000-10-2100-30 . . . . .		6
302805	1951-2000-01-10-11-2100-01-11-30 . . . . .		1	348579	.005 oversize, 2000-10-2100-30 . . . . .		6
341573	2003-06-2103-06-26 . . . . .		1	348588	standard, 1951-2001-11-2101-11 . . . . .		8
4551	Key #5, Whitney, (50.845) 1951-2000-01-03-06-10-11-2100-01-03-06-11-26-30 . . . . .		1	348589	.005 oversize, 1951.2001-11-2101-11 . . . . .		8
5.1219	PISTON - PRESSURE RELIEF VALVE			348578	standard, 2003-06-2103-06-26 . . . . .		8
303927	1951-2000-01-03-06-10-11-2100-01-03-06-11-26-30 . . . . .		1				

CODE NO.	PART NO.	DESCRIPTION AND MODELS	PER CAR	CODE NO.	PART NO.	DESCRIPTION AND MODELS	PER CAR
<b>PISTON—Continued</b>				<b>SNUBBER—Continued</b>			
5.1400		PISTON ASSEMBLY (ALUMINUM) (Cont'd)		1.15001		SNUBBER ASSEMBLY (Cont'd)	
348579	.005	oversize, 2003-06-2103-06-26 . . . . .	8	7242		Screw 3/8-24 x 7/8 hex. head, to frame, (50.003) 1951-2000-01-03-06-10-11-2100-01-03-06-26-30 . . . . .	3
5.14005		PISTONS, RINGS, PINS AND BUSHINGS KIT		371160		Stud (50.090) 1951-2000-01-03-06-10-11-2100-01-03-06-26-30 . . . . .	1
394073	.020	oversize, 1951-2001-11-2101-11 . . . . .	1	5506		Lockwasher 3/8, to frame screw, (50.220) 1951-2000-01-03-06-10-11-2100-01-03-06-26-30 . . . . .	3
394074	.030	oversize, 1951-2001-11-2101-11 . . . . .	1	5508		Lockwasher 7/16, to transmission stud, (50.220) 1951-2000-01-03-06-10-11-2100-01-03-06-26-30 . . . . .	1
394075	.040	oversize, 1951-2001-11-2101-11 . . . . .	1	6748		Washer 3/8, nut side, to frame screw, (50.200) 1951-2000-01-03-06-10-11-2100-01-03-06-26-30 . . . . .	3
394070	.020	oversize, 2000-10-2100-30 . . . . .	1	3877		Washer 3/8, snubber side, to frame screw, (50.200) 1951-2000-01-03-06-10-11-2100-01-03-06-26-30 . . . . .	3
394071	.030	oversize, 2000-10-2100-30 . . . . .	1	136982		Washer 7/16, to transmission stud, (50.200) 1951-2000-01-03-06-10-11-2100-01-03-06-26-30 . . . . .	1
394072	.040	oversize, 2000-10-2100-30 . . . . .	1	348932		Washer 7/16, to transmission stud, (50.200) 1951-2000-01-03-06-10-11-2100-01-03-06-26-30 . . . . .	3
394076	.020	oversize, 2003-06-2103-06-26 . . . . .	1	7006		Nut 3/8-24, to frame screw, (50.100) 1951-2000-01-03-06-10-11-2100-01-03-06-26-30 . . . . .	3
394077	.030	oversize, 2003-06-2103-06-26 . . . . .	1	7007		Nut 7/16-20, to transmission stud, (50.100) 1951-2000-01-03-06-10-11-2100-01-03-06-26-30 . . . . .	1
394078	.040	oversize, 2003-06-2103-06-26 . . . . .	1	5.1501		BRACKET - TO FRAME	
5.1401		PIN		371041		1951-2000-01-03-06-10-11-2100-01-03-06-11-26-30 . . . . .	1
302037		standard, 1951-2001-11-2101-11 . . . . .	8	5.1502		BRACKET - TO TRANSMISSION	
303381	.003	oversize, 1951-2001-11-2101-11 . . . . .	8	348940		1951-2000-01-03-06-10-11-2100-01-03-06-11-26-30 . . . . .	1
303382	.006	oversize, 1951-2001-11-2101-11 . . . . .	8	5.1503		CHANNEL - FRAME CROSS	
324283		standard, 2000-10-2100-30 . . . . .	6	371059		use with Overdrive, 1951-2000-01-10-11-2100-01-11 . . . . .	1
324673	.003	oversize, 2000-10-2100-30 . . . . .	6	373854		use with Overdrive, 2003-06-2103-06-26 . . . . .	1
324674	.006	oversize, 2000-10-2100-30 . . . . .	6	7818		Screw 3/8-24 x 7/8 hex. head (50.003) 1951-2000-01-03-06-10-11-2100-01-03-06-26-30 . . . . .	4
324283		standard, 2003-06-2103-06-26 . . . . .	8	5506		Lockwasher 3/8 (40.220) 1951-2000-01-03-06-10-11-2100-01-03-06-26-30 . . . . .	4
324673	.003	oversize, 2003-06-2103-06-26 . . . . .	8	7006		Nut 3/8-24 (50.100) 1951-2000-01-03-06-10-11-2100-01-03-06-26-30 . . . . .	4
324674	.006	oversize, 2003-06-2103-06-26 . . . . .	8	5.1504		INSULATOR	
5.1402		LOCK - PIN		348945		1951-2000-01-03-06-10-11-2100-01-03-06-11-26-30 . . . . .	4
190021		1951-2000-01-10-11-2100-01-11-30 . . . . .	12	5.1505		SPACER - INSULATOR	
		2003-06-2103-06-26 . . . . .	16	348941		1951-2000-01-03-06-10-11-2100-01-03-06-11-26-30 . . . . .	2
5.14025		RING SET					
354716		standard, 2000-10-2100-30 . . . . .	1				
354717	.020	oversize, 2000-10-2100-30 . . . . .	1				
382886	.030	oversize, 2000-10-2100-30 . . . . .	1				
382887	.040	oversize, 2000-10-2100-30 . . . . .	1				
382878		standard, iron piston, 2001-11 . . . . .	1				
382879	.020	oversize, iron piston, 2001-11 . . . . .	1				
382880	.030	oversize, iron piston, 2001-11 . . . . .	1				
382881	.040	oversize, iron piston, 2001-11 . . . . .	1				
354718		standard, aluminum piston, 1951-2001-11-2101-11 . . . . .	1				
354719	.020	oversize, 1951-2001-11-2101-11 . . . . .	1				
382890	.030	oversize, 1951-2001-11-2101-11 . . . . .	1				
382891	.040	oversize, 1951-2001-11-2101-11 . . . . .	1				
354720		standard, 2003-06-2103-06-26 . . . . .	1				
354721	.020	oversize, 2003-06-2103-06-26 . . . . .	1				
382888	.030	oversize, 2003-06-2103-06-26 . . . . .	1				
382889	.040	oversize, 2003-06-2103-06-26 . . . . .	1				
5.1404		EXPANDER SET - SKIRT					
333583		2000-10-2100-30 . . . . .	1				
348952		2001-11-2101-11 . . . . .	1				
384796		2003-06-2103-06-26 . . . . .	1				
<b>SNUBBER</b>							
5.15001		SNUBBER ASSEMBLY					
371042		not used with Overdrive, 1951-2000-01-03-06-10-11-2100-01-03-06-11-26-30 . . . . .	1				

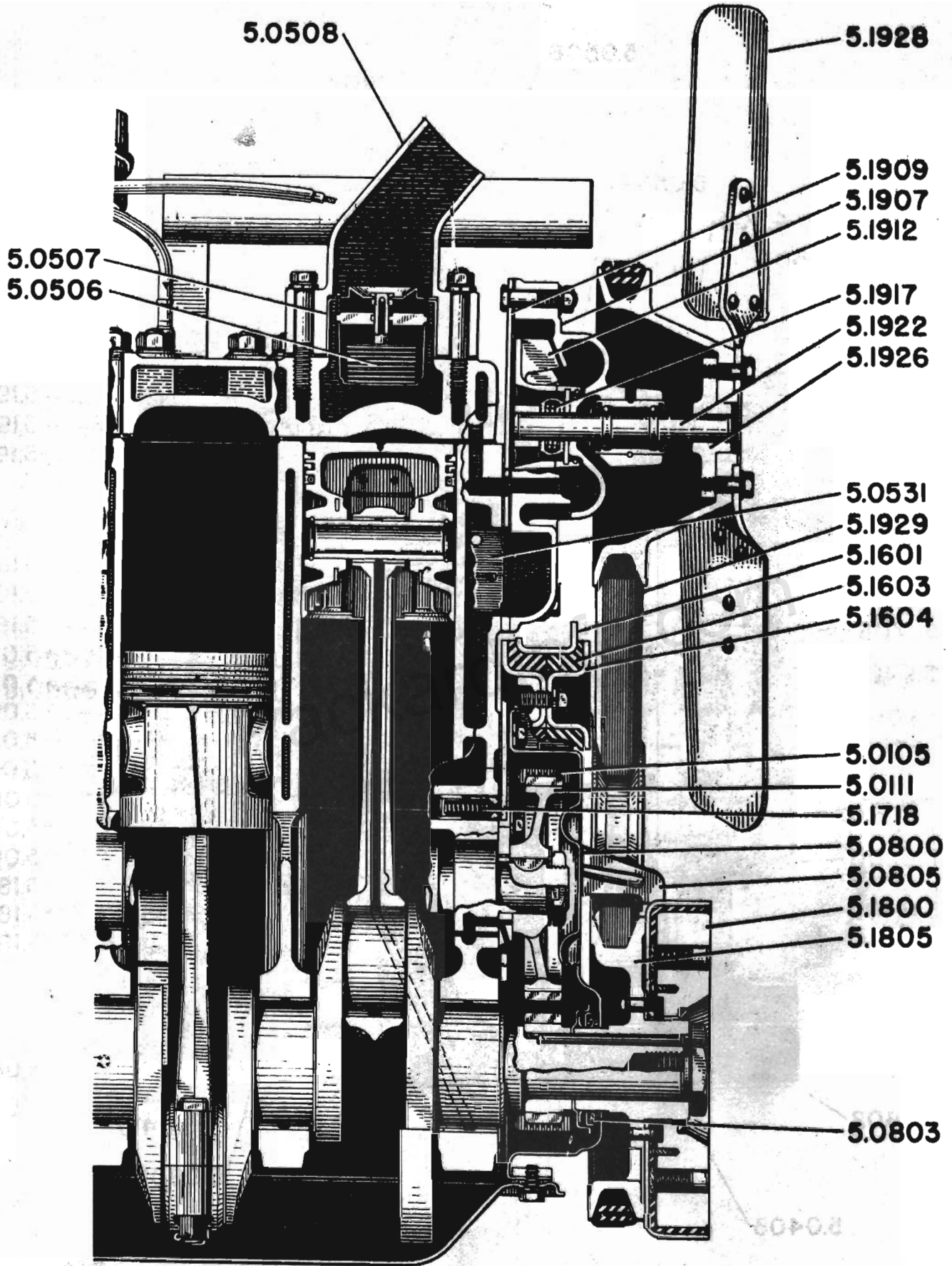
CODE NO.	PART NO.	DESCRIPTION AND MODELS	PER CAR
<b>SNUBBER—Continued</b>			
5.1507	LINK ASSEMBLY - FRONT		
335698	LH thread, used with overdrive, 1951-2000-01-03-06-10-11-2100-01-03-06-11-26 . . .	1	
5.15071	LINK ASSEMBLY - REAR		
335699	used with overdrive, RH thread, 1951-2000-01-03-06-10-11-2100-01-03-06-11-26 . . .	1	
136982	Washer, snubber link stud, (nut side) (50.200) 1951-2000-01-03-06-10-11-2100-01-03-06-11-26 . . . . .	1	
3883	Washer, snubber link stud, (snubber side) (50.200) 1951-2000-01-03-06-10-11-2100-01-03-06-11-26 . . . . .	1	
5508	Lockwasher 7/16, snubber link stud, (50.220) 1951-2000-01-03-06-10-11-2100-01-03-06-11-26 . . . . .	1	
7261	Nut 7/16-14 hex. head, snubber link stud, (50.100) 1951-2000-01-03-06-10-11-2100-01-03-06-11-26 . . . . .	1	
5.1508	TURNBUCKLE - LINK		
335652	used with overdrive, 1951-2000-01-03-06-10-11-2100-01-03-06-11-26 . . . . .	1	
7252	Nut 7/16-20 (50.100) 1951-2000-01-03-06-10-11-2100-01-03-06-11-26-30 . . . . .	1	
335705	Nut 7/16-20 LH thd. (50.150) 1951-2000-01-03-06-10-11-2100-01-03-06-11-26-30 . . .	1	
5.1509	ROD		
371040	1951-2000-01-03-06-10-11-2100-01-03-06-11-26-30 . . . . .	1	
348932	Washer 7/16 (50.200) transmission end, 1951-2000-01-03-06-10-11-2100-01-03-06-11-26-30 . . . . .	1	
	frame bracket end, 1951-2000-01-03-06-10-11-2100-01-03-06-11-26-30 . . . . .	2	
5508	Lockwasher 7/16 (50.220) 1951-2000-01-03-06-10-11-2100-01-03-06-11-26-30 . . . . .	2	
7007	Nut 7/16-20 (50.100) transmission end, 1951-2000-01-03-06-10-11-2100-01-03-06-11-26-30 . . . . .	1	
	frame bracket, 1951-2000-01-03-06-10-11-2100-01-03-06-11-26-30 . . . . .	2	
<b>STABILIZER</b>			
5.1552	STABILIZER ASSEMBLY		
377541	2003-06-2103-06-26 . . . . .	2	
7819	Screw 3/8-24 x 1 hex. head, to frame support, (50.003) 2003-06-2103-06-26 . . . . .	4	
5049	Washer 3/8 (50.200) 2003-06-2103-06-26 . . . . .	4	
5506	Lockwasher 3/8 (50.220) 2003-06-2103-06-26 . . . . .	4	
5.1555	BRACKET - STABILIZER (CYLINDER)		
358964	right, 2003-06-2103-06-26 . . . . .	1	

CODE NO.	PART NO.	DESCRIPTION AND MODELS	PER CAR
<b>STABILIZER—Continued</b>			
5.1555	BRACKET - STABILIZER (CYLINDER) (Cont'd)		
358963	left, 2003-06-2103-06-26 . . . . .	1	
7410	Screw 3/8-16 x 7/8 hex. head (50.003) 2003-06-2103-06-26 . . . . .	4	
7861	Screw 5/16-24 x 1 hex head (50.003) 2003-06-2103-06-26 . . . . .	4	
5506	Lockwasher 3/8 (50.220) 2003-06-2103-06-26 . . . . .	4	
5504	Lockwasher 5/16 (50.220) 2003-06-2103-06-26 . . . . .	4	
7005	Nut 5/16-24 (50.100) 2003-06-2103-06-26 . . . . .	4	
5.1557	PLATE - STABILIZER CYLINDER BRACKET BOLT		
207582	2003-06-2103-06-26 . . . . .	4	
<b>SUPPORTS</b>			
5.16005	BRACKET ASSEMBLY - FRONT		
373874	right, 2001-11-2101-11 . . . . .	1	
373873	left, 2001-11-2101-11 . . . . .	1	
6661	Bolt 3/8-24 x 3/4 hex head, to frame, 2001-11-2101-11 . . . . .	2	
300903	Bolt 1/2-20 x 1-1/8 hex head, to frame, (50.003) 2001-11-2101-11 . . . . .	2	
5506	Lockwasher 3/8 (50.220) 2001-11-2101-11 . . . . .	2	
5510	Lockwasher 1/2 (50.220) 2001-11-2101-11 . . . . .	2	
7006	Nut 3/8-24 (50.100) 2001-11-2101-11 . . . . .	2	
5.1601	CHANNEL ASSEMBLY - FRONT		
367733	1951 . . . . .	1	
373923	2000-01-10-11-2100-01-11-30 . . . . .	1	
348143	2003-06-2103-06-26 . . . . .	1	
300903	Bolt 1/2-20 x 1-1/8 (50.003) 1951-2000-03-06-10-26-30 . . . . .	2	
7968	Bolt 1/2-20 x 1-1/4 (50.003) 2001-11-2101-11 . . . . .	2	
5133	Washer 1/2 (50.200) 2003-06-2103-06-26-30 . . . . .	2	
5510	Lockwasher 1/2 (50.220) 1951-2000-03-06-10-11-2100-01-03-06-11-26-30 . . . . .	2	
7008	Nut 1/2-20 (50.100) 1951-2001-03-06-11-2101-03-06-11-26 . . . . .	2	
5.1603	INSULATOR - FRONT		
300277	1951-2000-01-10-11-2100-01-11-30 . . . . .	2	
341498	2003-06-2103-06-26 . . . . .	2	
5.1604	RETAINER - FRONT INSULATOR		
300226	1951-2000-01-10-11-2100-01-11-30 . . . . .	1	
341499	2003-06-2103-06-26 . . . . .	1	
7826	Screw 5/16-24 x 5/8 (50.003) 1951-2000-01-10-11-2100-01-11-30 . . . . .	2	
5958	Screw 3/8-24 x 13/16 (50.003) 2003-06-2103-06-26 . . . . .	2	
5504	Lockwasher 5/16 (50.220) 1951-2000-01-10-11-2100-01-11-30 . . . . .	2	
5506	Lockwasher 3/8 (50.220) 2003-06-2103-06-26 . . . . .	2	



FRONT HALF OF ENGINE LONGITUDINAL SECTIONS (EIGHT)



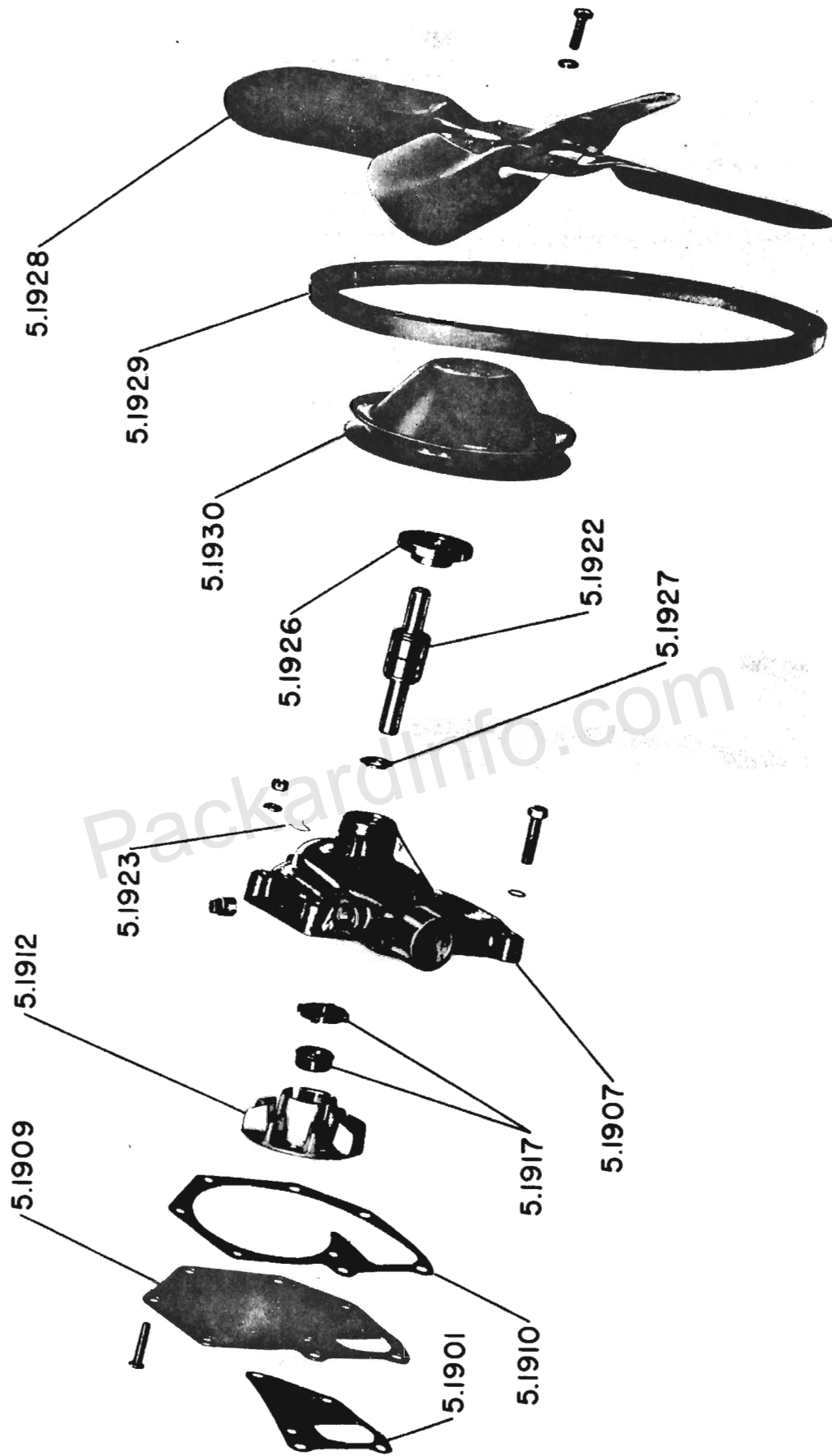


FRONT HALF OF ENGINE LONGITUDINAL SECTIONS (SUPER EIGHT)

CODE NO.	PART NO.	DESCRIPTION AND MODELS	PER CAR	CODE NO.	PART NO.	DESCRIPTION AND MODELS	PER CAR
<b>SUPPORTS—Continued</b>				<b>VALVES—Continued</b>			
^ 5.1607		<b>CHANNEL AND BRACKET ASSEMBLY - REAR</b>		5.1701		<b>COVER ASSEMBLY - VALVE (Cont'd)</b>	
367883		1951-2000-01-03-06-10-11-2100-01-03-06-11-26-30 . . . . .	1	327956		front, 2000-10-2100-30 . . . . .	1
7818		Screw 3/8-24 x 7/8, to frame, (50.003) 1951-2000-01-03-06-10-11-2100-01-03-06-11-26-30 . . . . .	8	341644		front, 2003-06-2103-06-26 . . . . .	1
7345		Lockwasher 3/8 (50.220) 1951-2000-01-03-06-10-11-2100-01-03-06-11-26-30 . . . . .	8	330021		rear, 2000-10-2100-30 . . . . .	1
7006		Nut 3/8-24 (50.100) 1951-2000-01-03-06-10-11-2100-01-03-06-11-26-30 . . . . .	8	341645		rear, 2003-06-2103-06-26 . . . . .	1
				341871		Screw 5/16-18 x 3-11-16 hex head, 1951-2000-01-03-06-10-11-2100-01-03-06-11-26-30 . . . . .	4
				129439		Gasket 5/16, screw, (50.660) 1951-2000-01-03-06-10-11-2100-01-03-06-11-26-30 . . . . .	4
^ 5.16071		<b>BRACE - REAR BRACKET</b>		5.17015		<b>GASKET SET - VALVE COVER</b>	
378715		1951-2000-01-03-06-10-11-2100-01-03-06-11-26-30 . . . . .	2	358382		2000-10-2100-30 . . . . .	1
7387		Screw 3/8-24 x 7/8 (50.003) 1951-2000-01-03-06-10-11-2100-01-03-06-11-26-30 . . . . .	3	358381		1951-2001-11-2101-11 . . . . .	1
8079		Screw 3/8-24 x 2 (50.003) 1951-2000-01-03-06-10-11-2100-01-03-06-11-26-30 . . . . .	1	358383		2003-06-2103-06-26 . . . . .	1
7329		Washer 3/8 (50.200) 1951-2000-01-03-06-10-11-2100-01-03-06-11-26-30 . . . . .	2	5.1702		<b>GASKET - VALVE COVER</b>	
378725		Spacer, screw long, 1951-2000-01-03-06-10-11-2100-01-03-06-11-26-30 . . . . .	1	315039		2000-10-2100-30 . . . . .	2
5506		Lockwasher 3/8 (50.220) 1951-2000-01-03-06-10-11-2100-01-03-06-11-26-30 . . . . .	4	300196		1951-2001-11-2101-11 . . . . .	2
7006		Nut 3/8-24 (50.100) 1951-2000-01-03-06-10-11-2100-01-03-06-11-26-30 . . . . .	4	341369		2003-06-2103-06-26 . . . . .	2
5.1609		<b>INSULATOR ASSEMBLY - REAR</b>		5.1706		<b>SPRING - VALVE</b>	
320929		1951-2000-01-03-06-10-11-2100-01-03-06-11-26-30 . . . . .	2	324953		1951-2001-11-2101-11 . . . . .	16
7819		Bolt 3/8-24 x 1, to bracket, (50.003) 1951-2000-01-03-06-10-11-2100-01-03-06-11-26-30 . . . . .	4			2000-10-2100-30 . . . . .	12
6288		Screw 1/2-20 x 15/16, to engine, (50.003) 1951-2000-01-03-06-10-11-2100-01-03-06-11-26-30 . . . . .	4	351750		2003-06-2103-06-26 . . . . .	16
126770		Washer 3/8 (50.200) 1951-01-03-06-10-11-2100-01-03-06-11-26-30 . . . . .	4	358660		Lockwasher, special, 1951-2001-11-2101-11 . . . . .	16
6166		Lockwasher 3/8 (50.220) 1951-2000-01-03-06-10-11-2100-01-03-06-11-26-30 . . . . .	4			2000-10-2100-30 . . . . .	12
5510		Lockwasher 1/2 (50.220) 1951-2000-01-03-06-10-11-2100-01-03-06-11-26-30 . . . . .	4	6805		Lockwasher 5/8 (50.230) 2003-06-2103-06-26 . . . . .	16
7006		Nut 3/8-24 (50.100) 1951-2000-01-03-06-10-11-2100-01-03-06-11-26-30 . . . . .	4	5.1707		<b>KEY - VALVE SPRING</b>	
				358188		1951-2001-03-06-11-2101-03-06-11-26 . . . . .	32
						2000-10-2100-30 . . . . .	24
				5.1708		<b>SEAT - VALVE SPRING</b>	
				358184		1951-2001-03-06-11-2101-03-06-11-26 . . . . .	16
						2000-10-2100-30 . . . . .	12
				5.1710		<b>GUIDE - VALVE</b>	
				364391		exhaust, 1951-2001-11-2101-11 . . . . .	8
						2000-10-2100-30 . . . . .	6
				348608		exhaust, 2003-06-2103-06-26 . . . . .	8
				348607		intake, 1951-2001-11-2101-11 . . . . .	8
						2000-10-2100-30 . . . . .	6
				348609		intake, 2003-06-2103-06-26 . . . . .	8
				5.1711		<b>TAPPET ASSEMBLY - VALVE</b>	
5.1700		<b>VALVE - EXHAUST AND INTAKE</b>		341311		standard, with adj. screw, 1951-2001-11-2101-11 . . . . .	16
358105		exhaust, 1951-2001-11-2101-11 . . . . .	8			2000-10-2100-30 . . . . .	12
				373345		standard, hydraulic, 2003-06-2103-06-26 . . . . .	16
358196		exhaust, 2003-06-2103-06-26 . . . . .	8	351718		.001 oversize, 1951-2001-11-2101-11 . . . . .	16
358190		intake, 1951-2001-11-2101-11 . . . . .	8			2000-10-2100-30 . . . . .	12
362849		intake, 2000-10-2100-30 . . . . .	6				
358224		intake, 2003-06-2103-06-26 . . . . .	8				
5.1701		<b>COVER ASSEMBLY - VALVE</b>					
327958		1951-2001-11-2101-11 . . . . .	2				

CODE NO.	PART NO.	DESCRIPTION AND MODELS	PER CAR
<b>VALVES—Continued</b>			
5.1711	TAPPET ASSEMBLY - VALVE		
373346	.001 oversize, 2003-06-2103-06-26	. . . . .	16
351719	.002 oversize, 1951-2001-11-2101-11	. . . . .	16
	2000-10-2100-30	. . . . .	12
373347	.002 oversize, 2003-06-2103-06-26	. . . . .	16
351720	.005 oversize, 1951-2001-11-2101-11	. . . . .	16
	2000-10-2100-30	. . . . .	12
373348	.005 oversize, 2003-06-2103-06-26	. . . . .	16
5.1712	ADJUSTING SCREW - TAPPET		
341310	self-locking, 1951-2001-11-2101-11	. . . . .	16
	2000-10-2100-30	. . . . .	12
5.1715	PLUNGER ASSEMBLY - TAPPET		
351717	2003-06-2103-06-26	. . . . .	16
5.1718	REGULATOR ASSEMBLY - TAPPET OIL		
351780	2003-06-2103-06-26	. . . . .	2
5.1720	BODY - TAPPET OIL REGULATOR		
351778	2003-06-2103-06-26	. . . . .	2
5.1722	PISTON - TAPPET OIL REGULATOR		
351713	2003-06-2103-06-26	. . . . .	2
5.1724	RETAINER - TAPPET OIL REGULATOR PISTON		
351779	2003-06-2103-06-26	. . . . .	2
5.1726	SPRING - TAPPET OIL REGULATOR PISTON		
351712	2003-06-2103-06-26	. . . . .	2
<b>VIBRATION DAMPER</b>			
5.1800	DAMPER ASSEMBLY		
341130	1951-2000-01-10-11-2100-01-11-30	. . . . .	1
367455	used with air conditioning, 1951-2000-01-10-11	. . . . .	1
348565	2003-06-2103-06-26	. . . . .	1
304128	Screw 3/4-16 x 1-1/4 (50.003) 1951-2000-01-10-11-2100-01-11-30	. . . . .	1
341404	Screw 3/4-16 x 1-1/8 (50.003) 2003-06-2103-06-26	. . . . .	1
6599	Screw 1/4-28 x 11/16, drum screw, (50.003) 1951-2000-01-03-06-10-11-2100-01-03-06-11-26-30	. . . . .	6
300063	Washer 3/4 (50.200) 1951-2000-01-10-11-2100-01-11-30	. . . . .	1
5518	Lockwasher 3/4 (50.220) 1951-2000-01-10-11-2100-01-11-30	. . . . .	1
5447	Lockwasher 1/4 (50.230) 1951-2000-01-03-06-10-11-2100-01-03-06-11-26-30	. . . . .	6
5.1805	HUB AND FAN PULLEY		
304268	1951-2000-01-10-11-2100-01-11-30	. . . . .	1

CODE NO.	PART NO.	DESCRIPTION AND MODELS	PER CAR
<b>VIBRATION DAMPER—Continued</b>			
5.1805	HUB AND FAN PULLEY (Cont'd)		
367440	used with air conditioning, 1951-2000-01-10-11	. . . . .	1
348288	2003-06-2103-06-26	. . . . .	1
304775	Dowel pin 1/4 x 9/16, to drum, (50.556) 1951-2000-01-03-06-11-2100-01-03-06-11-26-30	. . . . .	2
6599	Screw 1/4-28 x 11/16 hex. head (50.003) 1951-2000-01-03-06-10-11-2100-01-03-06-11-26-30	. . . . .	6
5447	Lockwasher 1/4 (50.230) 1951-2000-01-03-06-10-11-2100-01-03-06-11-26-30	. . . . .	6
5.1807	KEY		
300064	1951-2000-01-10-11-2100-01-11-30	. . . . .	1
341873	2003-06-2103-06-26	. . . . .	1
<b>WATER PUMP and FAN</b>			
5.1900	WATER PUMP ASSEMBLY		
362052	1951-2000-01-10-11-2100-01-11-30	. . . . .	1
362085	2003-06-2103-06-26	. . . . .	1
7241	Screw 3/8-16 x 1-5/8 (50.003) 1951-2000-10-01-11-2100-01-11-30	. . . . .	4
6454	Screw 3/8-16 x 1-3/4 (50.003) 2003-06-2103-06-26	. . . . .	4
302770	Washer 25/64 (50.660) 1951-2000-01-03-06-10-11-2100-01-03-06-11-26-30	. . . . .	2
5506	Lockwasher 3/8 (50.220) 1951-2000-01-03-06-10-11-2100-01-03-06-11-26-30	. . . . .	2
5.1901	GASKET - WATER PUMP ASSEMBLY		
320605	1951-2000-01-03-06-10-11-2100-01-03-06-11-26-30	. . . . .	1
5.1902	REPAIR KIT		
98732	1951-2000-01-03-06-10-11-2100-01-03-06-11-26-30	. . . . .	1
5.1907	BODY		
351090	1951-2000-01-03-06-10-11-2100-01-03-06-11-26-30	. . . . .	1
6721	Plug 3/8-18 sq. hd. pipe (50.270) 1951-2000-01-03-06-10-11-2100-01-03-06-11-26-30	. . . . .	1
5.1909	COVER		
351091	1951-2000-01-03-06-10-11-2100-01-03-06-11-26-30	. . . . .	1
324135	Screw 5/16-24 x 1-1/2 (50.003) 1951-2000-01-03-06-10-11-2100-01-03-06-11-26-30	. . . . .	3
5504	Lockwasher 5/16 (50.220) 1951-2000-01-03-06-10-11-2100-01-03-06-11-26-30	. . . . .	3
7005	Nut 5/16-24 (50.100) 1951-2000-01-03-06-10-11-2100-01-03-06-11-26-30	. . . . .	3
5.1910	GASKET - COVER		
320585	1951-2000-01-03-06-10-11-2100-01-03-06-11-26-30	. . . . .	1



WATER PUMP

CODE NO.	PART NO.	DESCRIPTION AND MODELS	PER CAR	CODE NO.	PART NO.	DESCRIPTION AND MODELS	PER CAR
<b>WATER PUMP and FAN—Continued</b>							
5.1912	IMPELLER						
335193		1951-2000-01-03-06-10-11-2101-2100-03-06-11-26-30 . . . . .	1				
5.1917	SEAL KIT						
387664		1951-2000-01-03-06-10-11-2100-01-03-06-11-26-30 . . . . .	1				
5.1922	SHAFT AND BEARING ASSEMBLY						
362027		1951-2000-01-03-06-10-11-2100-01-03-06-11-26-30 . . . . .	1				
5.1923	LOCK - SHAFT BEARING						
320625		1951-2000-01-03-06-10-11-2100-01-03-06-11-26-30 . . . . .	1				
5.1926	HUB - FAN						
317914		1951-2000-01-10-11-2100-01-11-30 . . . . .	1				
341547		2003-06-2103-06-26 . . . . .	1				
5.1927	SLINGER - SHAFT WATER						
335171		1951-2000-01-03-06-10-11-2100-01-03-06-11-26-30 . . . . .	1				
5.1928	FAN						
348875		1951-2000-01-10-11-2100-01-11-30 . . . . .	1				
367438		used with air conditioning equipment, 1951-2000-01-10-11 . . . . .	1				
334513		2003-06-2103-06-26 . . . . .	1				
7824		Screw 1/4-28 x 5/8 (50.003) 1951-2000-01-10-11-2100-01-11-30 . . . . .	4				
7861		Screw 5/16-24 x 1 (50.003) 2003-06-2103-06-26 . . . . .	4				
7584		Screw 1/4-28 x 1 hex. head, used with air conditioning equipment (50.003) 1951-2000-01-10-11 . . . . .	4				
5762		Screw 5/16-24 x 1-3/8 hex. head, used with air conditioning equipment (50.003) 2003-06 . . . . .	4				
5502		Lockwasher 1/5 (50.220) 1951-2000-01-10-11-2100-01-11-30 . . . . .	4				
5504		Lockwasher 5/16 (50.220) 2003-06-2103-06-26 . . . . .	4				
367490		Spacer, used with air conditioning equipment, 1951-2000-01-10-11 . . . . .	1				
5.1929	BELT - FAN						
320517		1951-2000-01-10-11-2100-01-11-30 . . . . .	1				
367441		used with air conditioning equipment, 1951-2000-01-10-11 . . . . .	1				
351106		2003-06-2103-06-26 . . . . .	1				
5.1930	PULLEY - FAN						
362028		1951-2000-01-10-11-2100-01-11-30 . . . . .	1				
367435		used with air conditioning equipment, 1951-2000-01-10-11 . . . . .	1				
362030		2003-06-2103-06-26 . . . . .	1				
362029		used with air conditioning equipment, 2003-06 . . . . .	1				